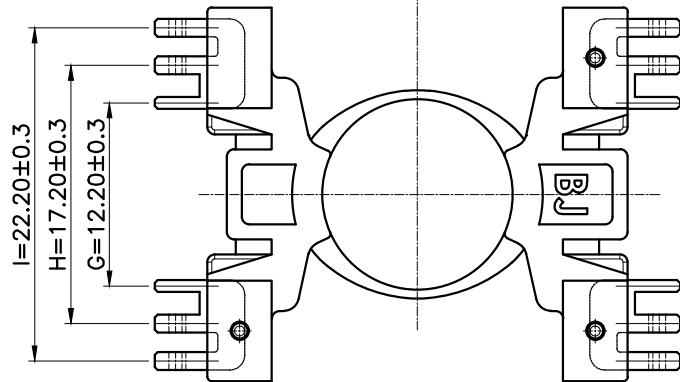


SECTION A-A

DETAIL "A"  
SCALE 2:1



△									
△									
△									
△									
MARK	REVISION NOTE				DATE	DRAWN	CHECKED	APPROVED	
	DRAWN	CHECKED	APPROVED	MATERIAL : L.C.P	UL REC. : UL94V-0	THIRD ANGLE PROJ.		SCALE : 2/1	
	Deok Man, Choe	Hyung Seok, Lee	Chul, Park		DATE : 2009.09.25	TOLERANCE : ±0.2 (Unless otherwise specified)		UNIT : m/m	
	주식회사 대흥보빈 DAE HEUNG BOBBIN CO., LTD				TITLE		PQ 2607 "V" (SMD) DWG NO DH-091015-6028-09		